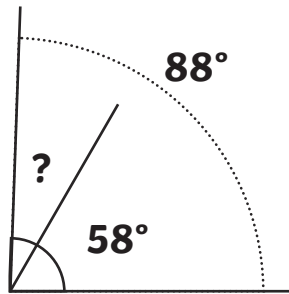


Find the Missing Angles

Find the missing angles.

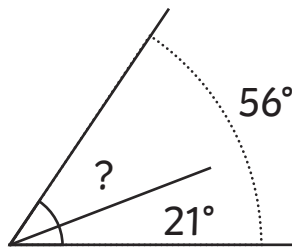
Example:



The missing angle is:

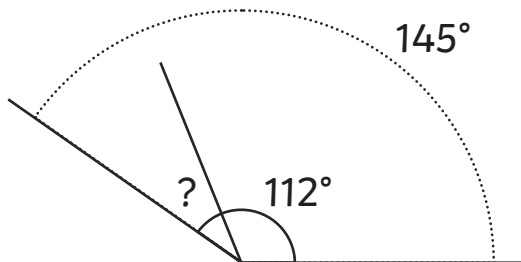
$$88 - 58 = 30^\circ$$

1.



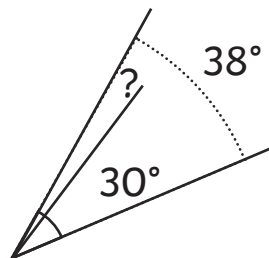
The missing angle is:

2.



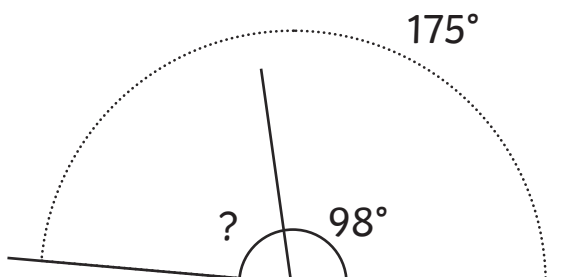
The missing angle is:

3.



The missing angle is:

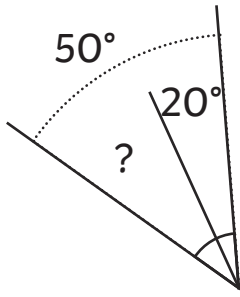
4.



The missing angle is:

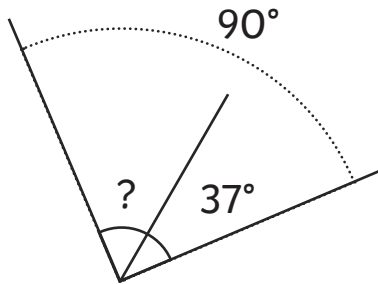
Find the Missing Angles

5.



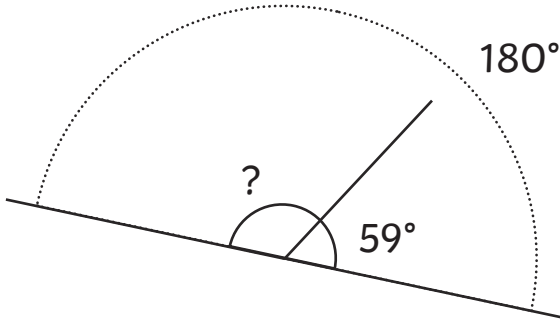
The missing angle is:

6.



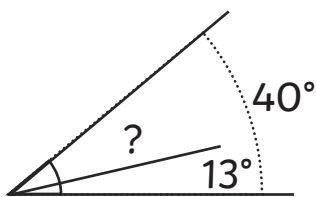
The missing angle is:

7.



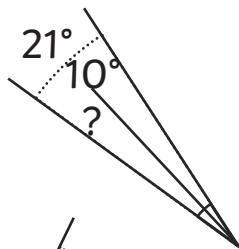
The missing angle is:

8.



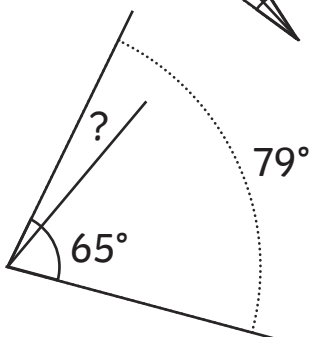
The missing angle is:

9.



The missing angle is:

10.



The missing angle is:

Find the Missing Angles **Answers**

1. The missing angle is: $56 - 21 = 35^\circ$
2. The missing angle is: $145 - 112 = 33^\circ$
3. The missing angle is: $38 - 30 = 8^\circ$
4. The missing angle is: $175 - 98 = 77^\circ$
5. The missing angle is: $50 - 20 = 30^\circ$
6. The missing angle is: $90 - 37 = 53^\circ$
7. The missing angle is: $180 - 59 = 121^\circ$
8. The missing angle is: $40 - 13 = 27^\circ$
9. The missing angle is: $21 - 10 = 11^\circ$
10. The missing angle is: $79 - 65 = 14^\circ$